

### SPECIFICATION / TECHNICAL SHEET

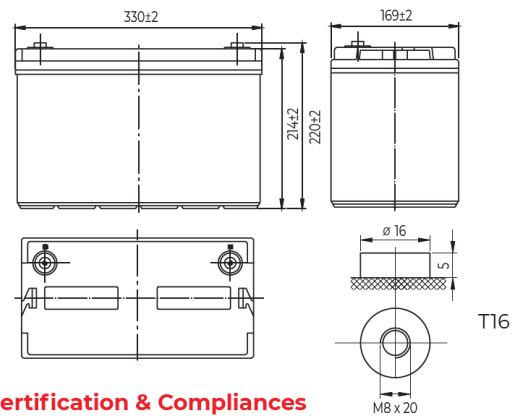
#### Specifications

Nominal Voltage	12V (6 cells per unit)	
Rated capacity (20 hour rate)	120Ah/10.8V	
Dimensions	Length	330±2mm
	Width	171±2mm
	Height	220±2mm
	Total Height	238±2mm
Approx. Weight	31.50kg±3%	

#### Characteristics

Capacity (25°C)	20HR(10.8V)	120Ah
	10HR(10.8V)	110Ah
	3HR(10.5V)	76.5Ah
Terminal type	T16	
Internal resistance (Fully charged, 25°C)	Approx. 4.5mΩ	
Capacity affected by temperature (10HR)	40°C	102%
	25°C	100%
	0°C	85%
	-15°C	65%
Self-discharge (25°C)	3month	Remaining capacity: 91%
	6month	Remaining capacity: 82%
	12month	Remaining capacity: 65%
Nominal operating temperature	25°C± 3°C (77°F± 5°F)	
Operating temperature range	Discharge	- 15°C~ 50°C (5°F ~ 122°F)
	Charge	- 10°C~ 50°C (14°F ~ 122°F)
	Storage	- 20°C~ 50°C (-4°F ~ 122°F)
Float charging voltage(25°C)	13.50 to 13.80V Temperature compensation: -18mV/°C/Block	
Cyclic charging voltage(25°C)	14.50 to 15.00V Temperature compensation: -30mV/°C/Block	
Maximum charging current	33A	
Maximum discharge current	800A (5 sec.)	
Designed floating life(20°C)	10 years for floating (25°C) Eurobat (20°C): 10-12 years, long life.	

#### Dimensions & Terminal Type (mm)



#### Certification & Compliances



Compliant to: EUROBAT, RoHS, WEEE's and Reach.  
Manufactured according to IEC 60896-21 / 22

#### Applications

- All Purpose
- Standby Applications
- Recreation Vehicles
- Uninterruptible Power Supply (UPS)
- Electric Power System (EPS)
- Fire & Security
- Generators
- Medical Equipment

### SPECIFICATION / TECHNICAL SHEET cont.

#### Construction

Component	Positive plate	Negative plate	Container	Cover	Separator	Electrolyte	Safety valve	Terminal
Raw material	Lead dioxide	Lead	ABS	ABS	AGM	Sulfuric acid	Rubber	Copper

#### Constant Current Discharge Characteristics Unit: A 25°C

F.V/Time	10min	15min	30min	60min	2h	3h	4h	5h	8h	10h	20h
9.60V	222	171	103	63.0	37.3	26.8	21.4	18.3	12.6	11.5	5.64
9.90V	216	167	100	62.1	37.1	26.7	21.3	18.2	12.5	11.4	5.62
10.2V	207	161	97.4	60.5	36.7	26.5	21.2	18.1	12.4	11.3	5.59
10.5V	198	156	95.0	58.6	36.2	26.3	21.0	18.0	12.3	11.1	5.57
10.8V	187	147	91.5	56.7	35.3	25.5	20.4	17.4	12.0	11.0	5.55

#### Constant Power Discharge Characteristics Unit: W 25°C

F.V/Time	10min	15min	30min	60min	2h	3h	4h	5h	8h	10h	20h
9.60V	2401	1882	1150	719	432	316	252	216	150	124	66.0
9.90V	2329	1836	1127	708	429	314	251	215	149	124	65.9
10.2V	2233	1769	1093	690	425	312	249	214	148	123	65.7
10.5V	2137	1708	1066	668	419	309	247	212	147	123	65.3
10.8V	2017	1618	1027	647	408	300	240	206	142	122	64.9

Note: The above characteristics data can be obtained within three charge or discharge cycles.



For pricing and availability please contact the team  
at SPB on 1300 001 772 or [sales@spb.net.au](mailto:sales@spb.net.au)